

**Micro Speaker**

**Model: OSR20R-5.7F0.5W8A-W**



**ELECTRICAL SPECIFICATIONS**

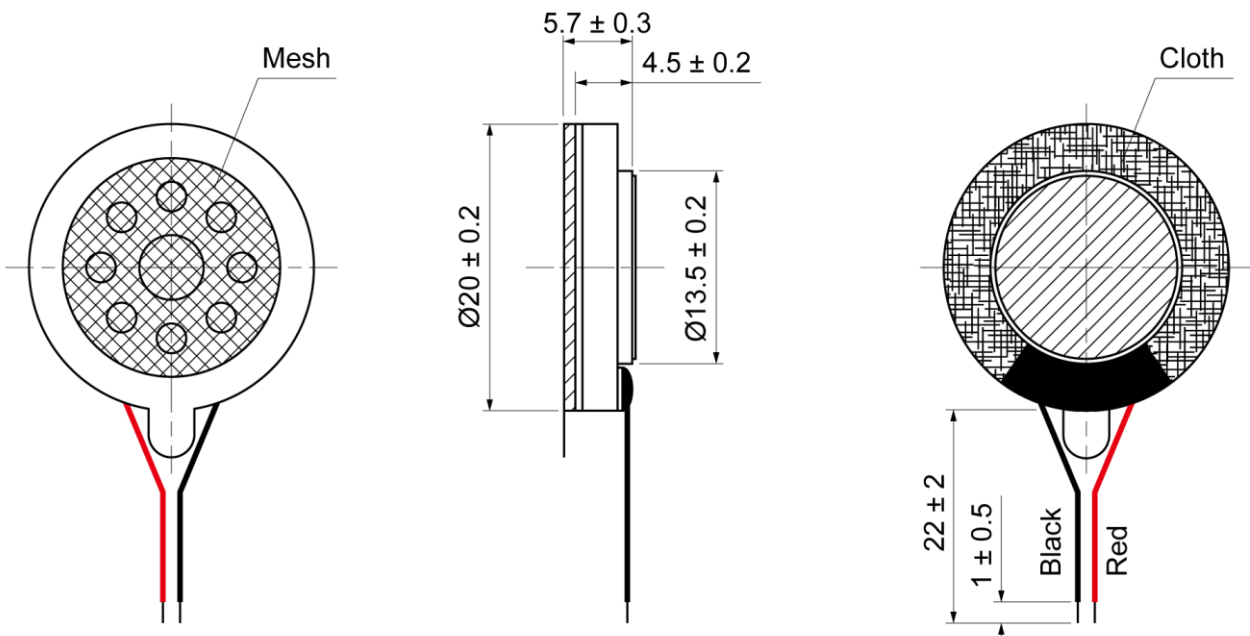
	Condition	Parameter	Unit
Sound Pressure Level	at 0.1W, 10cm [at 0.8, 1.0, 1.2, 1.5KHz]	90 ± 3	dB
Impedance	at 1V, 1000Hz	8 ± 15%	Ω
Rated Input Power		0.5	W
Max Input Power		0.8	W
Resonant Frequency (Fo)	at 1V, 10cm	750 ± 20%	Hz
Frequency Range		Fo ~ 10000	Hz
Buzzer & Rattles	not be audible at sine wave between Fo ~ 20KHz	2	V
Operating Temperature		-30 ~ 70	°C
Magnet		Nd-Fe-B	
Frame Material		Plastic	
Cone Material		Mylar (PEN)	
Weight		2.6	g

**MECHANICAL DRAWING**

Dimensions in mm

Wire: UL1571 32 AWG

Tolerance ±0.5mm Except Specified



**Micro Speaker**

Model: OSR20R-5.7F0.5W8A-W

**FREQUENCY RESPONSE CURVE**

